

Metro - 48" Double Bowl

Specification & Installation Guide

Features

- Free standing 48" vanity : 33"(838mm)H x 22"(560mm)D x 47-5/8" (1210mm)W
- Furniture grade plywood layered with solid wood veneer and protected with several coats of polyurethane (No particle board or MDF used)
- Matching finish inside out
- Two fully adjustable drawers with full-extension soft-close European hardware
- Drawers include adjustable tempered glass dividers and retainers
- Feet option: 4 L-feet or 2 S-feet in polished chrome or brushed nickel.

Colors/Finishes

- Ash Grey (AG)
- Glossy White (GW)
- Walnut (WA)

Top/Basin options

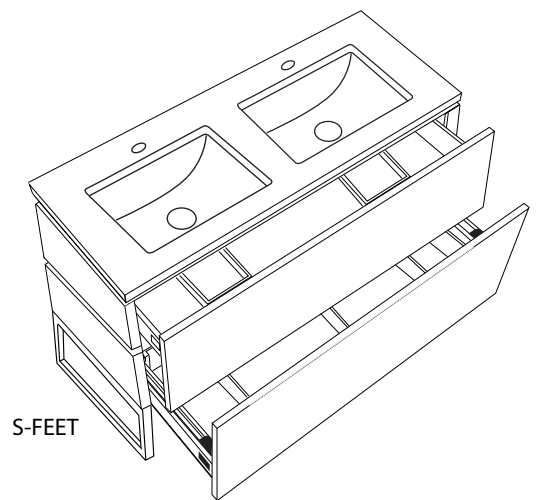
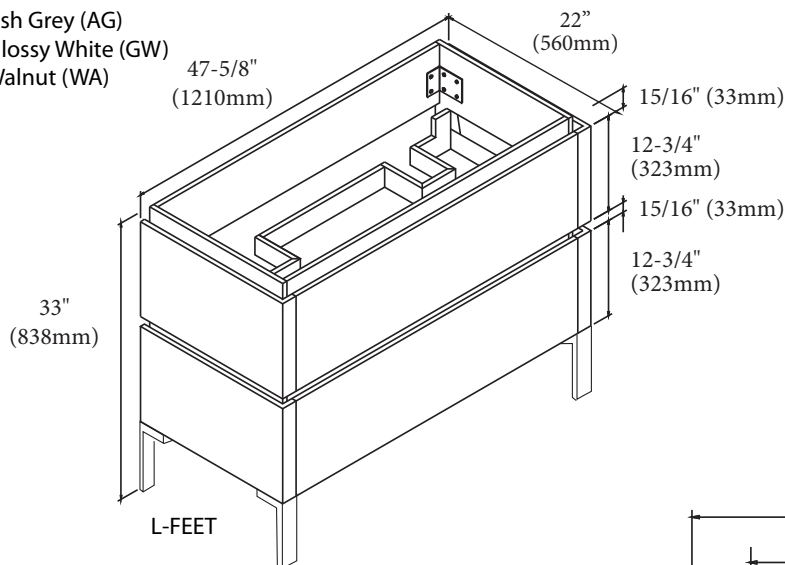
- Glossy White X-Stone top/basin
- Glossy or Matte White X-Stone flat countertop

Package Dimensions

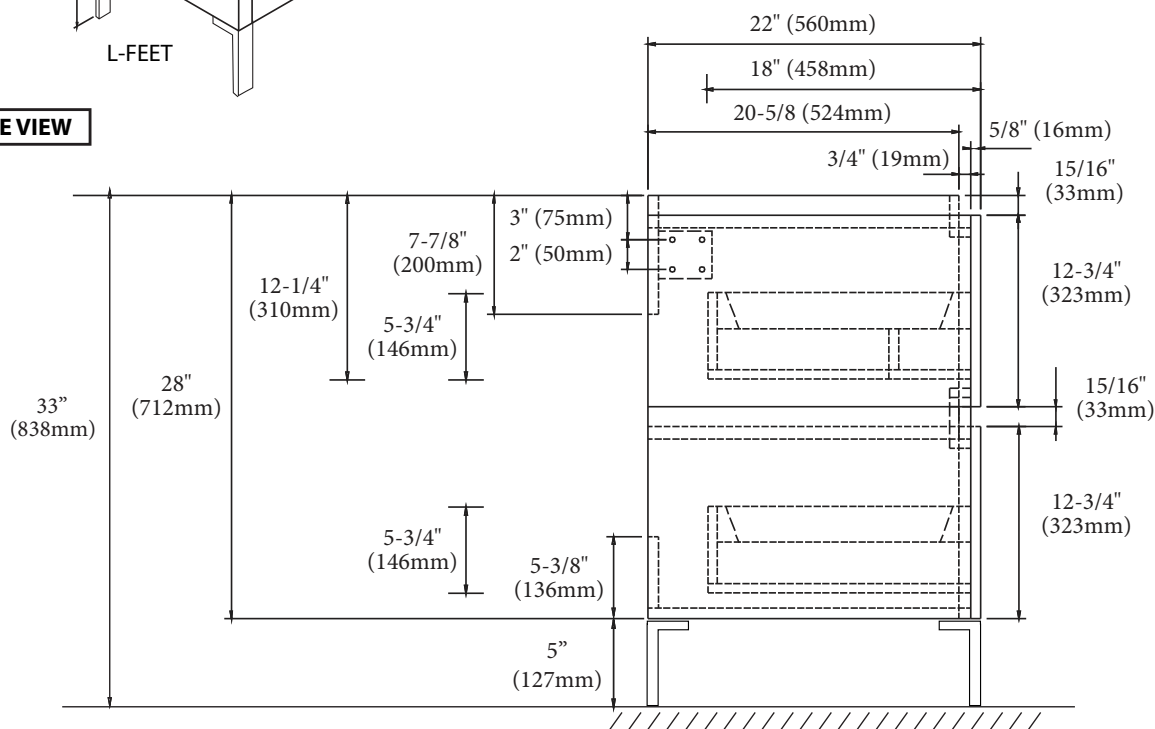
52" x 26" x 30"

Weight

217 lbs. / 99 kgs



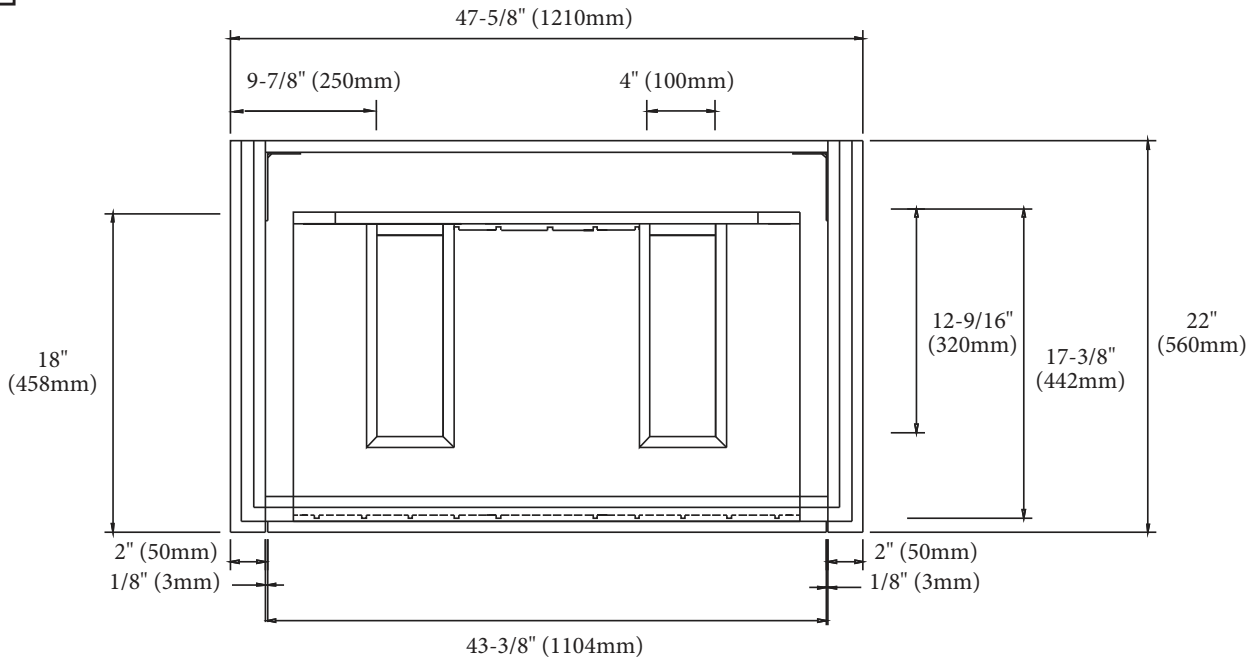
SIDE VIEW



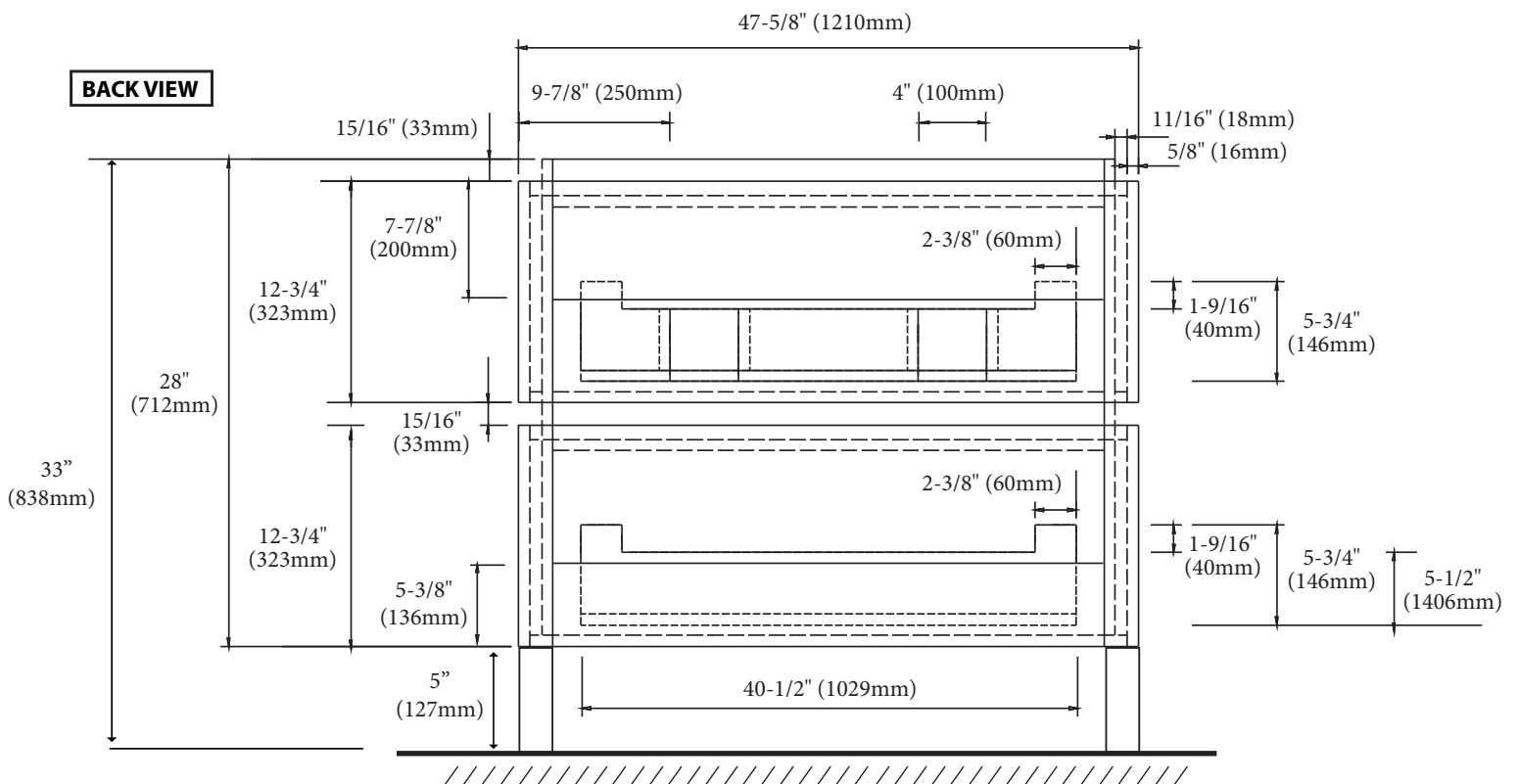
Metro - 48" Double Bowl

Specification & Installation Guide

TOP VIEW



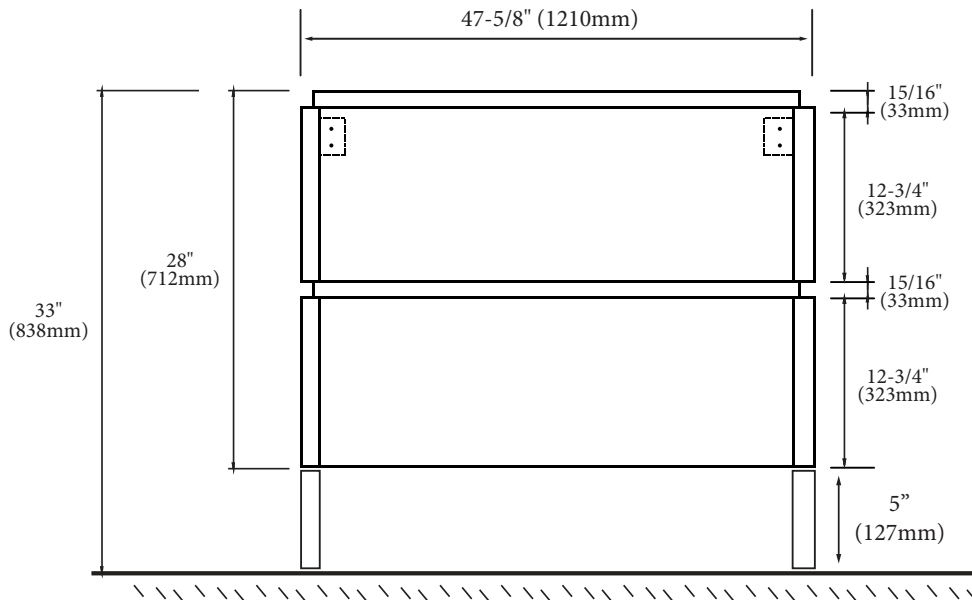
BACK VIEW



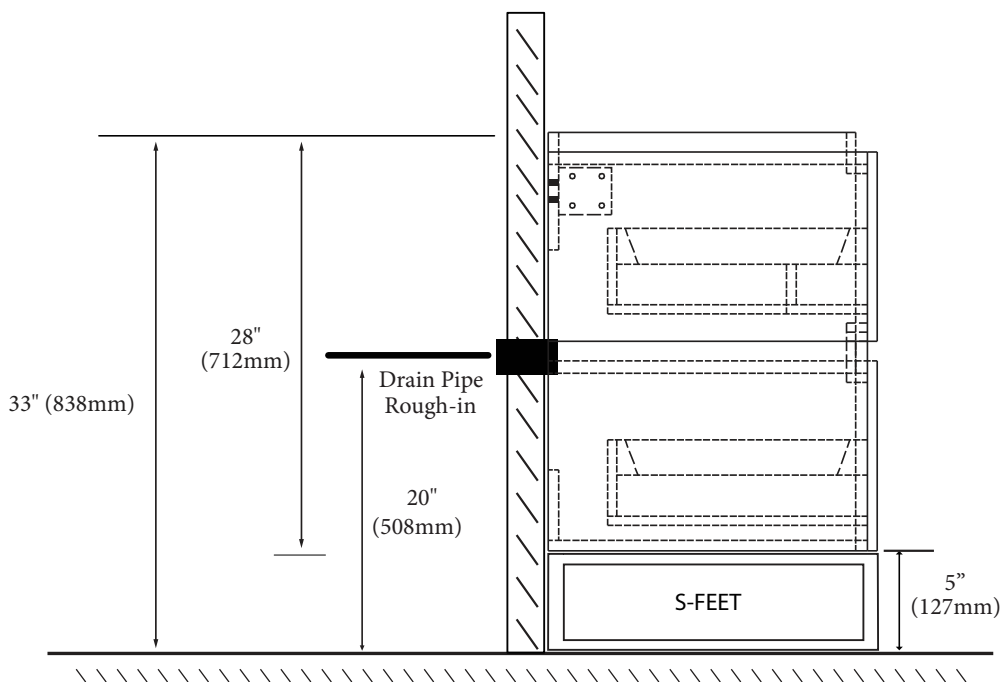
Metro - 48" Double Bowl

Specification & Installation Guide

FRONT VIEW



ROUGH-IN DIMENSIONS



For clarification, please contact Madeli Customer Care at (800)-819-6988 or (305)-718-8817 Ext. 1
All dimensions are approximate and subject to standard tolerance. Specifications subject to change without prior notice.

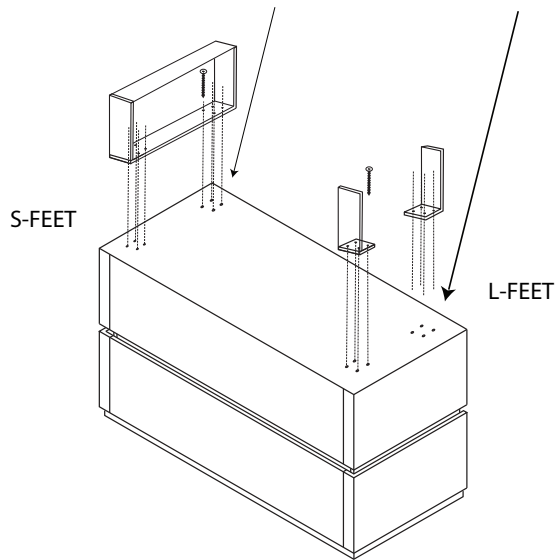
Metro - 48" Double Bowl

Specification & Installation Guide

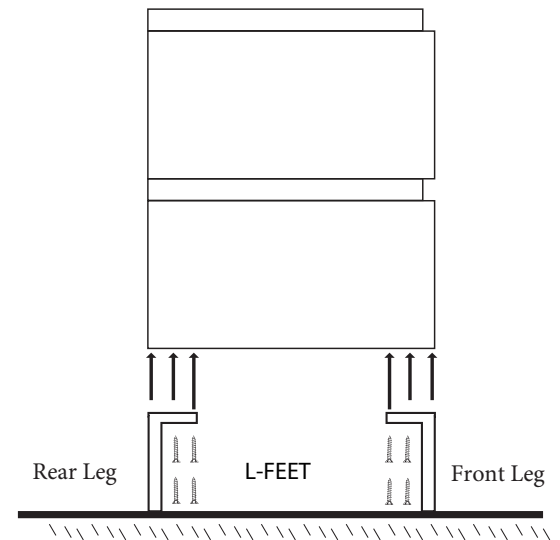
INSTALLATION INSTRUCTIONS

1. Install feet

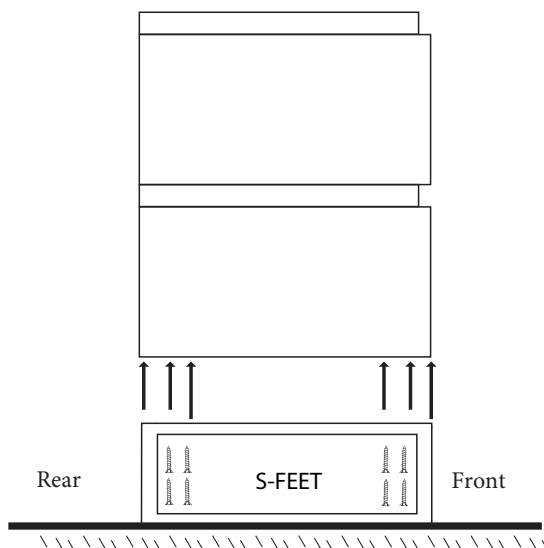
1. Place feet in indicated positions.
2. Mark screw locations.
3. Pre-drill holes with 5/64, 3/32 or 7/64 drill bit about 1/2" deep.
4. **DO NOT OVER TIGHTEN THE SCREWS. DOING SO WILL SPLIT THE WOOD SIDE PANEL.**
5. If using a regular battery drill, set clutch to minimum and increase setting as needed.
6. **DO NOT USE AN IMPACT DRILL. IT WILL SPLIT THE WOOD SIDE PANEL.**



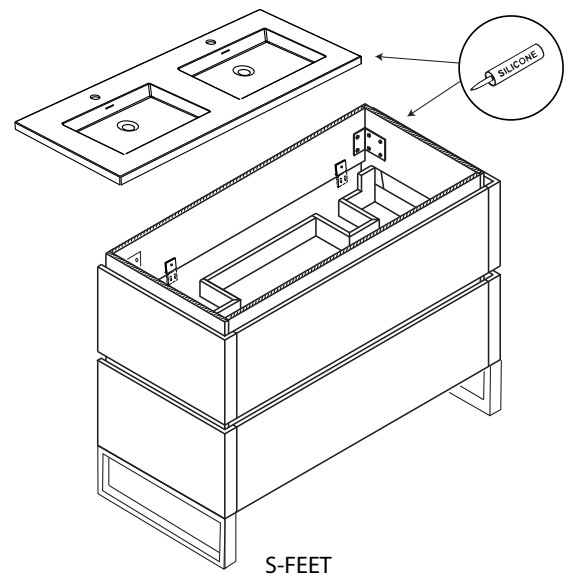
2. L-Feet installation



3. S-Feet installation



4. Install countertop with Silicone



For clarification, please contact Madeli Customer Care at (800)-819-6988 or (305)-718-8817 Ext. 1
All dimensions are approximate and subject to standard tolerance. Specifications subject to change without prior notice.