

INSTALLATION INSTRUCTIONS FOR P1156-044B-L

For LED Pendant

READ AND SAVE THESE INSTRUCTIONS

WARNING! SHUT POWER OFF AT FUSE OR CIRCUIT BREAKER
AVERTISSEMENT! COUPER LE COURANT AU NIVEAU DES FUSIBLES OU DO DISJONCTEUR

ASSEMBLING THE FIXTURE (Fig.1)

- 1 Shut off power at the fuse box or circuit breaker. Remove the old fixture including the mounting hardware.
- 2 Carefully remove the fixture from the carton and check that all parts are included as show in Figure 1. Unscrew (G) to remove the mounting plate (A) from the canopy (F), unscrew hex nut to take the square plate off.
- 3 Position mounting plate(A) on the ceiling ,and mark the location of the dry wall anchors(W).Pre-drill the holes for the dry wall anchors ,Insert the dry wall anchors(W) into the ceiling ,Attach the mounting plate (A) to the junction box using the mounting screws(B,size 8#-32N 1/2").The side of the mounting plate marked "GND" must face out. Place the wood screw (T) through the slot hole into the dry wall anchor(W) to secure the mounting plate(A) as shown in Fig. 1.

CONNECTING THE WIRES (Fig. 2)

- 4 Pass the black/white and bare copper wires from the hole of the square plate (V), and let the square plate rest on the canopy (F).Connect the electrical wire as shown in figure 2,making sure that all wire connectors are secured. If your junction box has a ground wire (green or bare copper),connect the ground wire from the fixture to it. Otherwise connect fixture ground wire (C) directly to the mounting plate using the green screw (D) provided. Tuck the wire connections neatly into the ceiling junction box as you hold the canopy towards the ceiling.

FINISHING THE INSTALLATION (Fig.1)

- 5 Rise the square plate (V) to the studs to fix with the hex nuts.Fix the canopy(F) into the mounting plate (A) with finial(G).Adjust the length of the cable to pull or push until the desired length by pushing down the spring nut (S).

Your installation is now complete. Return power to the junction box and test the fixture.

CAUTION/ATTENTION: When handling the fixture,do not apply pressure to the LEDs. Hold the fixture by the frame only.

IMPORTANT: Fixture should be installed by a qualified electrician to ensure proper wiring and installation. Dimmable with ELV and/or LED compatible wall dimmer switches.

Fig.1

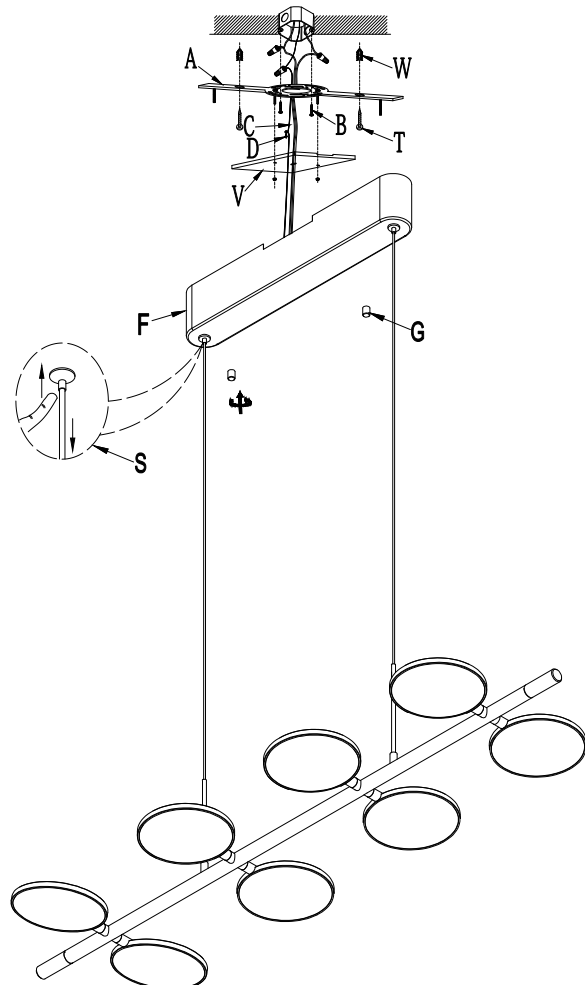
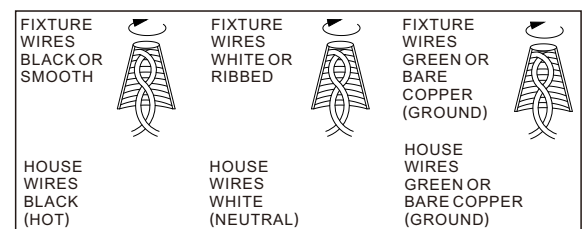


Fig.2



INSTALLATION INSTRUCTIONS FOR P1156-044B-L
For LED Pendant
READ AND SAVE THESE INSTRUCTIONS

WARNING! SHUT POWER OFF AT FUSE OR CIRCUIT BREAKER
AVERTISSEMENT! COUPER LE COURANT AU NIVEAU DES FUSIBLES OU DO DISJONCTEU

LED module replace(Fig.3)

Shut off power before replacing

- 1: There have 8 LED modules in each head with this fixture ,if one of them do not work ,replace it as shown in Fig. 3. Make sure the power is off before you replace ;
- 2: Using a flat screw driver gently pry up the acrylic shade (H),be careful not to damage the shade or the finish of the metal head .If shade is broken , please ask a replacement from Minka;
- 3: Unscrew the screw (I) with screwdriver to take off the LED module;
- 4: Use a pin press the quick connector (K) ,pull out the wire ,replace a new module.
- 5: Repeat 4-1 to assembly the fixture.

Your replace is now complete , return power to the junction box and test the fixture

Fig.3

